

# FLUSHMASTER - The **ONLY** TOILET Unit which can do things the others can't!

- Pump **FURTHER** and **HIGHER**
- Run **HORIZONTALLY** first
- Pump a **DOUBLE LIFT**
- Even pump an **UPHILL GRADIENT**

Pumps through 32mm or 40mm pipe

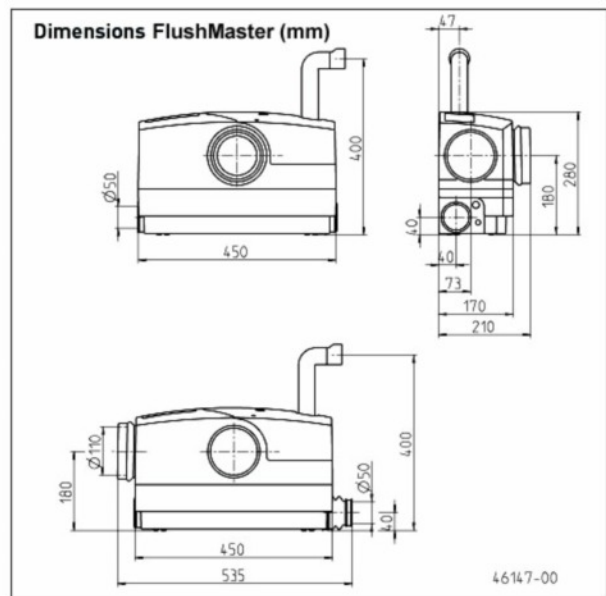
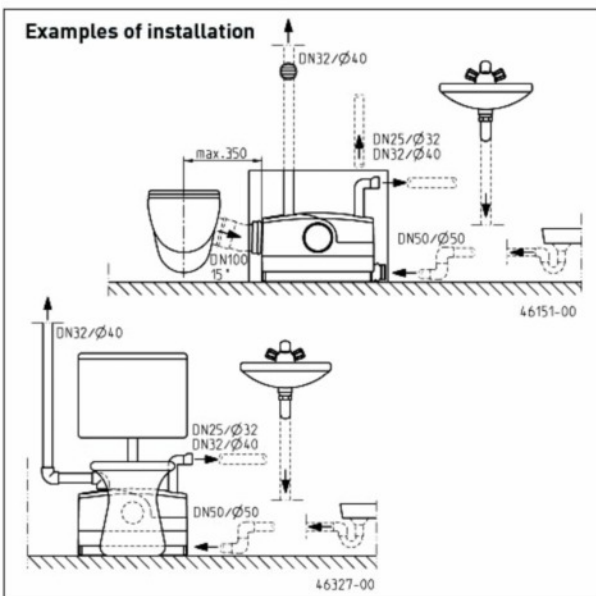
With the FlushMaster you can now fit a toilet almost anywhere.

It can easily discharge via high heads, long pipe runs, multiple bends and double lifts, enabling pipework to be kept hidden out of sight.

This is possible because the **FlushMaster** uses a submersible, open, free flow, vortex impeller pump and not a domestic cutter pump.



## DOUBLE LIFT PIPE RUN CAN EASILY BE HANDLED



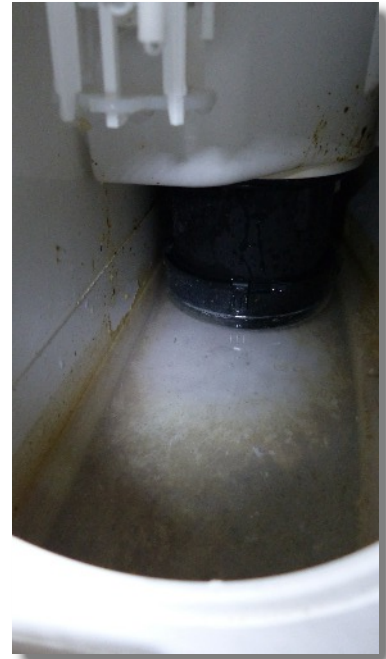
DOUBLE LIFT PIPE RUN CAN EASILY BE HANDLED



Simple to **MAINTAIN** and **SERVICE**

# FLUSHMASTER - FEATURES & BENEFITS:

- **Multiple Uses:**  
Suitable for connection to a single toilet, bidet, washbasin or shower (Not a bath or washing machine)
- **Pipe Requirements:**  
Pipe requirement- DN32, dia 28 ID or DN40, dia 36 ID
- **Reliable:**  
An open vortex pump impeller with large clearances between pump opening and tank floor make the **FlushMaster** more tolerant of user abuse
- **Built-in Alarm:**  
An integral, acoustic alarm and volt free connections for coupling to a remote alarm or BMS
- **Simple Un-clogging:**  
Un-clog the open Vortex impeller without removing the cover. Simply push a screwdriver down onto the head of the motor / pump shaft, reverse the impeller and the clogged item will probably drop free
- **Stubborn Blockages:**  
For more stubborn blockages, simply remove two screws, twist and lift the complete motor / pump assembly away from the collecting tank. This will enable you to see and easily clear the foreign object
- **Easy Component replacement:**  
All parts can be simply removed and replaced without removing the tank from the toilet
- **Multiple Connections:**  
Each pump is supplied with a full set of installation connections for direct mounting behind the toilet or mounting behind a partition wall



Call the Pump Technology Ltd team today to confirm the FlushMaster is right for your toilet application. **Tel 0118 9821 555**

Pump Technology Ltd products are available from stock & your local merchant.

**PUMP**  
**TECHNOLOGY LTD**



FREE ADVICE ON THESE AND ANY OTHER PUMP REQUIREMENTS

**01189 821 555**

**[www.pumptechnology.co.uk](http://www.pumptechnology.co.uk)**