

ENVIRONMENT  
FRIENDLY

# GREASE MANAGEMENT

## DRAIN DOSING



### DrainDoser

The DrainDoser provides a reliable drain dosing solution for smaller catering establishments

- Easy wall mounting
- Simple to maintain
- Battery operated

Our automatic dosing pump is the essential partner for your grease trap. It allows you to continuously and evenly dispense our biological dosing fluid (sold separately) into your trap over a 24/7 period meaning that your trap is always performing at its best!

**CALL US ON 0118 9821555 for assistance with all of your GREASE MANAGEMENT PROBLEMS**

### Systems available for:

- RESTAURANTS
- HOTELS
- AIRPORTS
- OFFICE BLOCKS
- STADIUMS
- COLLEGES
- HOSPITALS
- & MANY MORE

**CAN BE USED IN CONJUNCTION WITH ANY OF OUR FLOOR MOUNTED PUMP UNITS**

The DrainDoser is best used in CONJUNCTION with a Grease Separator which acts as a point of treatment.



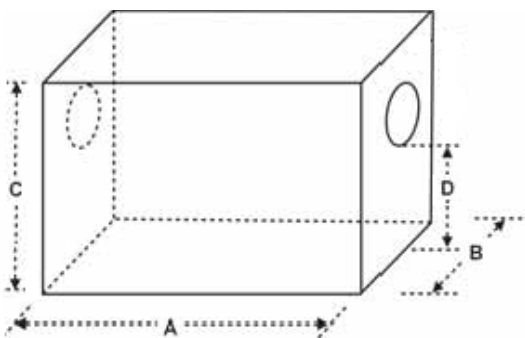
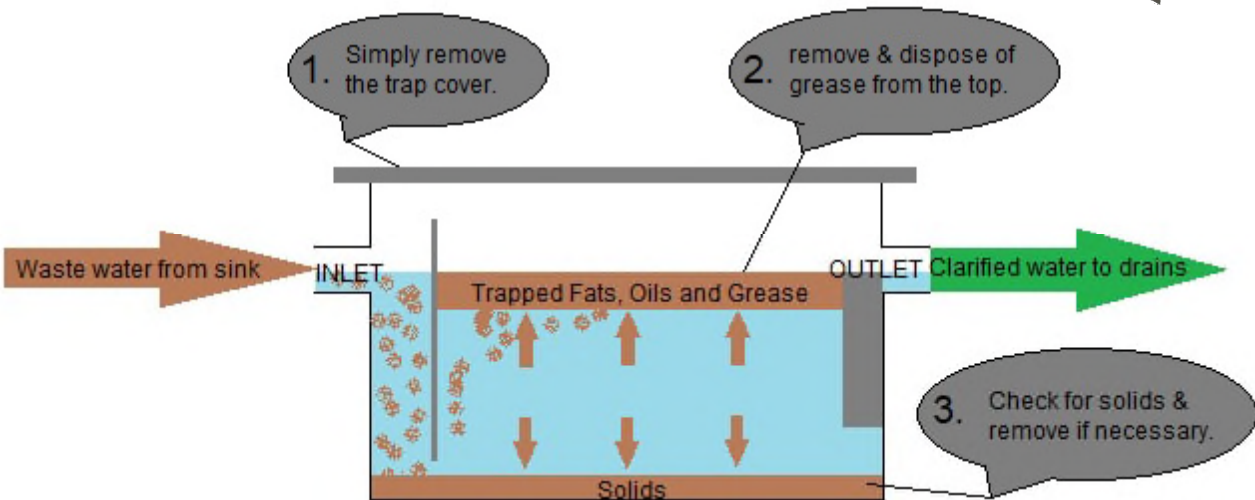
**ENVIRONMENT FRIENDLY**

# GREASE MANAGEMENT

## PTL GT GREASE SEPARATORS

### FEATURES

- Stainless steel epoxy coated grease traps
- Constructed using top grade 304 stainless steel
- Can be used both internally and externally
- Above ground and below ground



	Inlet/Outlet $\varnothing$	A	B	C	D	Application
PTL4KG	50mm	418	263	250	190	1 - 2 Sinks
PTL7KG	50mm	460	338	310	205	2 - 3 Sinks
PTL14KG	50mm	570	400	350	262	3 + Sinks