

## DRAINMINOR 30 (240V) (Wastewater Pumping System)

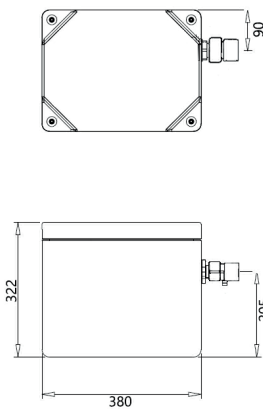


DrainMinor 30 (240V) Part No. 111  
(Wastewater Pumping System.)

### General Description:

DrainMinor 30 (240V) features a heavy-duty tank and submersible pump for automatically pumping wastewater from kitchens, teapoints, etc.

Dimensions mm



### Tank:

Manufactured from recyclable polyethylene and fully rigged with internal pipe work and non-return valve. The lid is held in place with easy-to-remove hand screws and sits on a custom moulded, fitted rubber seal.

### Tank Inlets:

To suit site layout, all inverts should be brought into the side of the tank by drilling a hole and using an appropriate tank connector. Minimum invert height 110 mm.

### Tank Outlet:

Fitted 1¼" BSP male thread discharge outlet (NRV supplied female thread)

### Good for the Environment:



**DrainMinor tanks are made from Recyclable Polyethylene.**

Recycling polyethylene is highly cost effective and therefore successful. It is greener than incineration, far more eco-friendly than landfill disposal and easier to use when manufacturing products such as toys, recycling bins, envelopes and much more.

### Tank Venting:

The tank is fitted with its own vent.

**Pump Technology Ltd. - 0118 9821 555 - [www.pumptechnology.co.uk](http://www.pumptechnology.co.uk)**

**PUMP**<sup>®</sup> DATA SHEET **DRAINMINOR 30 (240V)**  
**TECHNOLOGY LTD** (Wastewater Pumping System)

**Pump:**

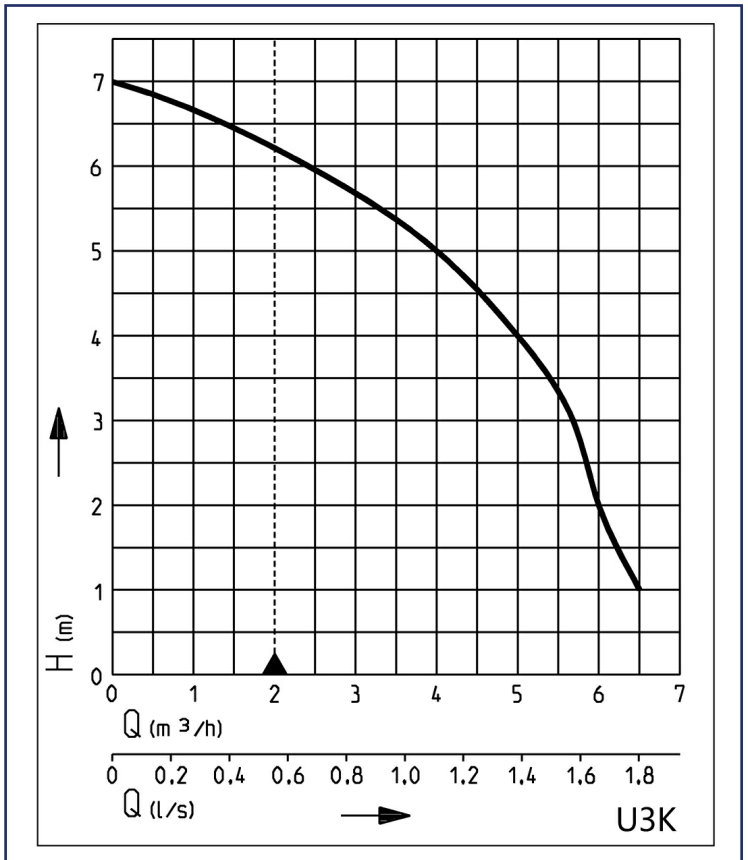
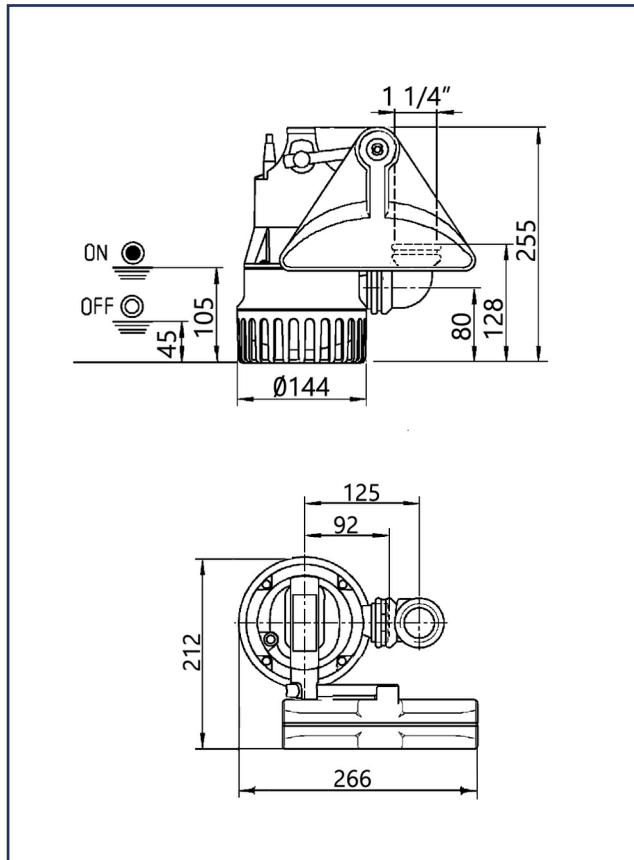
- Cooling jacket for motor housing
- Flushing device activatable and deactivatable
- Variable discharge branch with closable ventilation
- Run dry protection
- EIP Technology
- Moisture sealed cable inlet
- Fluid temperature 35 °C, temporarily 60 °C (10 min.)



**Description:**

The heavy duty centrifugal submersible drainage pump U3 KS is suitable for dealing with wastewater and capable of handling soft solids up to 10mm in particle size.

**Dimensions/switching points U3 (mm)**



**Pump Technology Ltd. - 0118 9821 555 - [www.pumptechology.co.uk](http://www.pumptechology.co.uk)**

Official Distributor and Stockist Authorised by Jung Pumpen GmbH



**Scope of Supply**

Pump ready for connection acc. to EN 12050 with 90°, 1¼" female connection elbow, 4m cable and automatic level float switch.

**Mechanical Data**

Pump	Vertical single stage	Run dry protection	Yes
Free Passage	10 mm	Shaft	Stainless Steel
Bearing	Ball bearing, grease-lubricated	Impeller	Vortex impeller, GFK
Seal on motor side	Rotary shaft seal	Motor housing	Stainless Steel
Oil chamber	Yes	Pump housing	GRP
Seal on medium side	2-fold rotary shaft seal	Submersible	Yes
		Pressure outlet	1¼"

**Electrical Data**

Voltage	1/N/PE-230V	Insulation class	F
Motor rating P1	0.32kW	Winding thermostat	Yes
Motor rating P2	0.2kW	Motor protection	Integrated
Current	1.4A	Plug	Safety
Type of enclosure	IP 68		

**U3**

Type	Code No.	Power line	Wires	Weight
<b>With built-in level control</b>				
U3 KS, 4m cable	<b>JP50000</b>	4m H07RN-F	3G1,0	5.5kg

**Notes:**

- This unit is for wastewater only
- Ensure the location of the DrainMinor enables the lid to be easily removed for regular inspection and maintenance
- If the discharge pipework connection to a soil stack, manhole etc. is below the discharge outlet of the tank, an anti-syphon unit must be fitted at the highest point of the discharge pipework
- Warranty: The DrainMinor 30 (240V) comes complete with a one year warranty.

**Pump Technology Ltd. - 0118 9821 555 - [www.pumptechnology.co.uk](http://www.pumptechnology.co.uk)**

Official Distributor and Stockist Authorised by Jung Pumpen GmbH



3 of 3

Pump Technology Ltd. reserves the right to change the specification without prior notice.