

DRAINING 1030 HES TWIN (240V) (Duty/Standby Hot Wastewater Pumping System with Control Panel)



DrainKing 1030 HES Twin (240V) Part No. 179/NS (Duty/Standby Hot Wastewater Pumping System with Control Panel. Continuously rated for 90°C Hot Water)

General Description:

DrainKing 1030 HES Twin (240V) features a heavy duty tank and submersible pump for automatically pumping "Hot Wastewater" from tea points with zip taps, commercial kitchens, sinks, dishwashers, combi ovens, pasta cookers, glasswashers, washing machines etc.

The DrainKing Twin provides users with the additional security of duty/standby operation. If one pump should become blocked or fail, the wastewater would rise within the common tank, and activate the high-level alarm. The control panel would start the other pump as the standby pump.

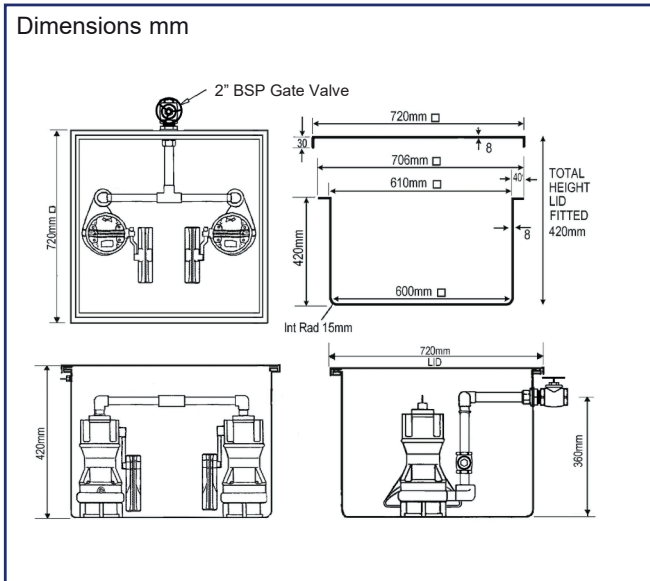


Control Panel:

The DrainKing Twin is supplied with a pump station control panel and a single high-level finger float. The duty pump is automatically alternated after every pump operation. If the high-level alarm is activated the standby pump would become operational. The panel features door isolation switch, pump 1 or 2 operational/tripped lights, alarm buzzer (minimum volume of 80 Dba at 1m distance) alarm on/off switch, 3 off volt free ports for BMS connection.

A rechargeable battery is fitted in case of mains electricity supply failure.

**DRAINING 1030 HES TWIN (240V)
(Duty/Standby Hot Wastewater
Pumping System with Control Panel)**



Tank:

Manufactured from GRP and fully rigged with internal pipe work, gate valve and non-return valves.

Tank Volume: 151.2 litres

Total Approximate Usable Volume - 100.8 litres

Tank Inlets:

To suit site layout, all inverts should be brought into the side of the tank by drilling a hole and using an appropriate tank connector. Minimum invert height 185mm.

Tank Outlet:

Fitted 2" BSP male thread discharge outlet (Gate Valve supplied female thread)

Tank Venting:

To suit site layout, a vent should be taken from the side of the tank by drilling a hole and using an appropriate tank connector. Vent pipe should be 2" to air or via a Pump Technology MicroVent.

**DRAINING 1030 HES TWIN (240V)
(Duty/Standby Hot Wastewater
Pumping System with Control Panel)**

Pump:

- Safe to run dry
- 30 mm free passage
- Hot water up to 90°C (Rated for continuous operation)
- Controllable oil chamber
- SiC mechanical seal independent of sense of rotation
- Replaceable moisture sealed cable inlet

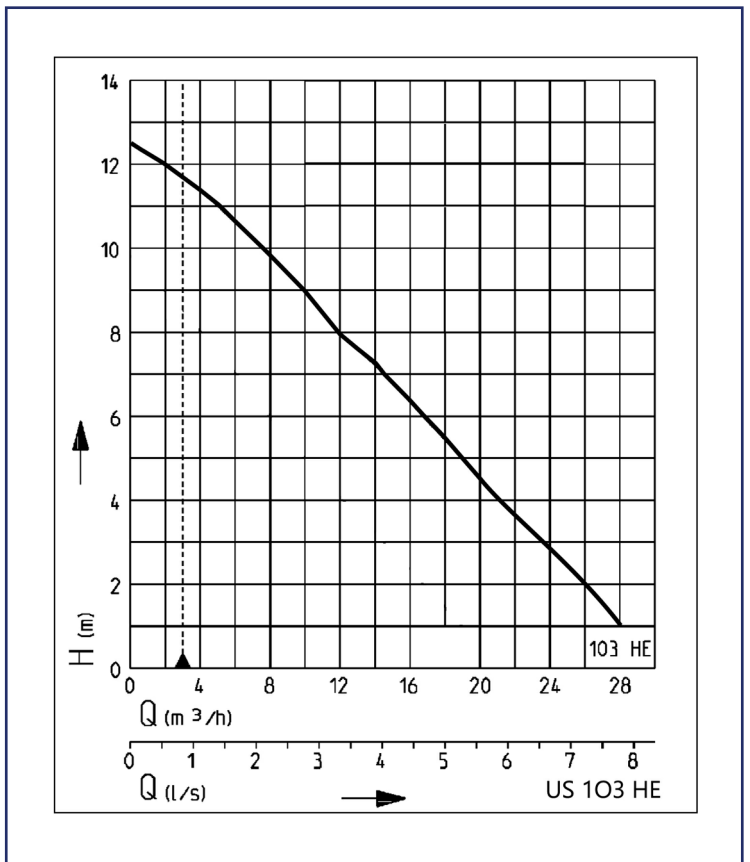
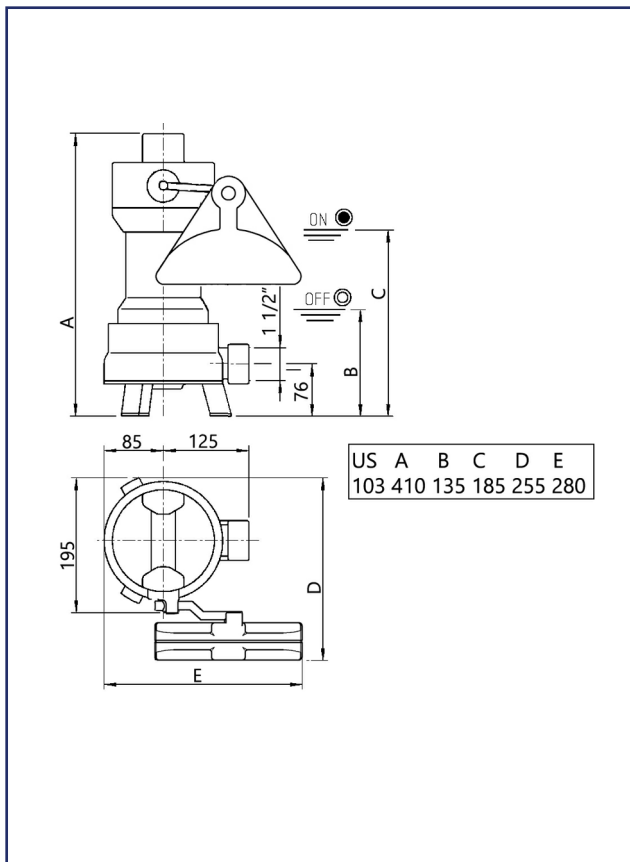
Description:

The heavy duty centrifugal submersible drainage pump US 1030 HES is suitable for dealing with wastewater and capable of handling soft solids up to 30mm in particle size.

The Pump is rated for continuous operation for very hot wastewater up to 90°C.



Dimensions/switching points US 103 HES (mm)



Scope of Supply

Pump acc. To EN 12050 ready for connection with 4m cable and automatic level float switch.

Mechanical Data			
Pump	Vertical single stage	Run dry protection	Yes
Free passage	30mm	Shaft	Stainless Steel
Bearing	Ball bearing, grease-lubricated	Impeller	Vortex impeller GFK
Seal on motor side	Duplex rotary shaft seals	Motor Housing	Stainless Steel
Oil chamber	Yes	Pump Housing	Grey cast iron
Seal on medium side	SiC Mechanical seal	Submersible	Yes
		Pressure outlet	IG 1½"

Electrical Data			
Voltage	1/N/PE-230V	Insulation class	F
Power line	10m H07RN-F	Winding thermostat	Yes
Wires	3G1.0	Motor protection	Integrated
Type of enclosure	IP68	Plug	Safety

US 103 HES

Type	Code No.	Motor rating P1	Motor rating P2	Current	Weight
With built-in level control					
US 103 HES	JP09308	1.37kW	0.98kW	6.0A	14.1kg

Notes:

- This unit is for wastewater only
- Ensure the location of the DrainKing enables the lid to be easily removed for regular inspection and maintenance
- If the discharge pipework connection to a soil stack, manhole etc. is below the discharge outlet of the tank, an anti-syphon unit must be fitted at the highest point of the discharge pipework
- Warranty: The DrainKing 1030 HES Twin (240V) comes complete with a one year warranty.

Pump Technology Ltd. - 0118 9821 555 - www.pumptechnology.co.uk

Official Distributor and Stockist Authorised by Jung Pumpen GmbH



4 of 4

Pump Technology Ltd. reserves the right to change the specification without prior notice.