

## DRAINING 1030 TWIN (3ph) (Duty/Standby Wastewater Pumping System with Control Panel)



DrainKing 1030 Twin (3ph) Part No. 176/NS  
(Duty/Standby Wastewater Pumping System with  
Control Panel)

### General Description:

DrainKing 1030 Twin (3ph) features a heavy-duty tank and submersible pump for automatically pumping wastewater from commercial kitchens, multiple sinks, dishwashers etc.

The DrainKing Twin provides users with the additional security of duty/standby operation. If one pump should become blocked or fail, the wastewater would rise within the common tank, and activate the high-level alarm. The control panel would start the other pump as the standby pump.

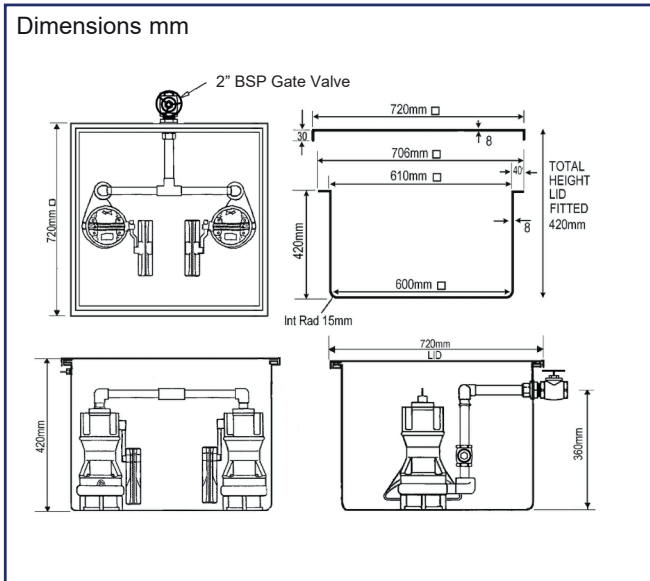


### Control Panel:

The DrainKing Twin is supplied with a pump station control panel and a single high-level finger float. The duty pump is automatically alternated after every pump operation. If the high-level alarm is activated the standby pump would become operational. The panel features door isolation switch, pump 1 or 2 operational/tripped lights, alarm buzzer (minimum volume of 80 Dba at 1m distance) alarm on/off switch, 3 off volt free ports for BMS connection.

A rechargeable battery is fitted in case of mains electricity supply failure.

## DRAINING 1030 TWIN (3ph) (Duty/Standby Wastewater Pumping System with Control Panel)



### Tank:

Manufactured from GRP and fully rigged with internal pipe work, gate valve and non-return valves.

### Tank Volume: 151.2 litres

Total Approximate Usable Volume - 100.8 litres

### Tank Inlets:

To suit site layout, all inverts should be brought into the side of the tank by drilling a hole and using an appropriate tank connector. Minimum invert height 185mm.

### Tank Outlet:

Fitted 2" BSP male thread discharge outlet (Gate Valve supplied female thread)

### Tank Venting:

To suit site layout, a vent should be taken from the side of the tank by drilling a hole and using an appropriate tank connector. Vent pipe should be 1 1/4" min. to air or via a Pump Technology MicroVent.

**DRAINING 1030 TWIN (3ph)  
(Duty/Standby Wastewater Pumping  
System with Control Panel)**

**Pump:**

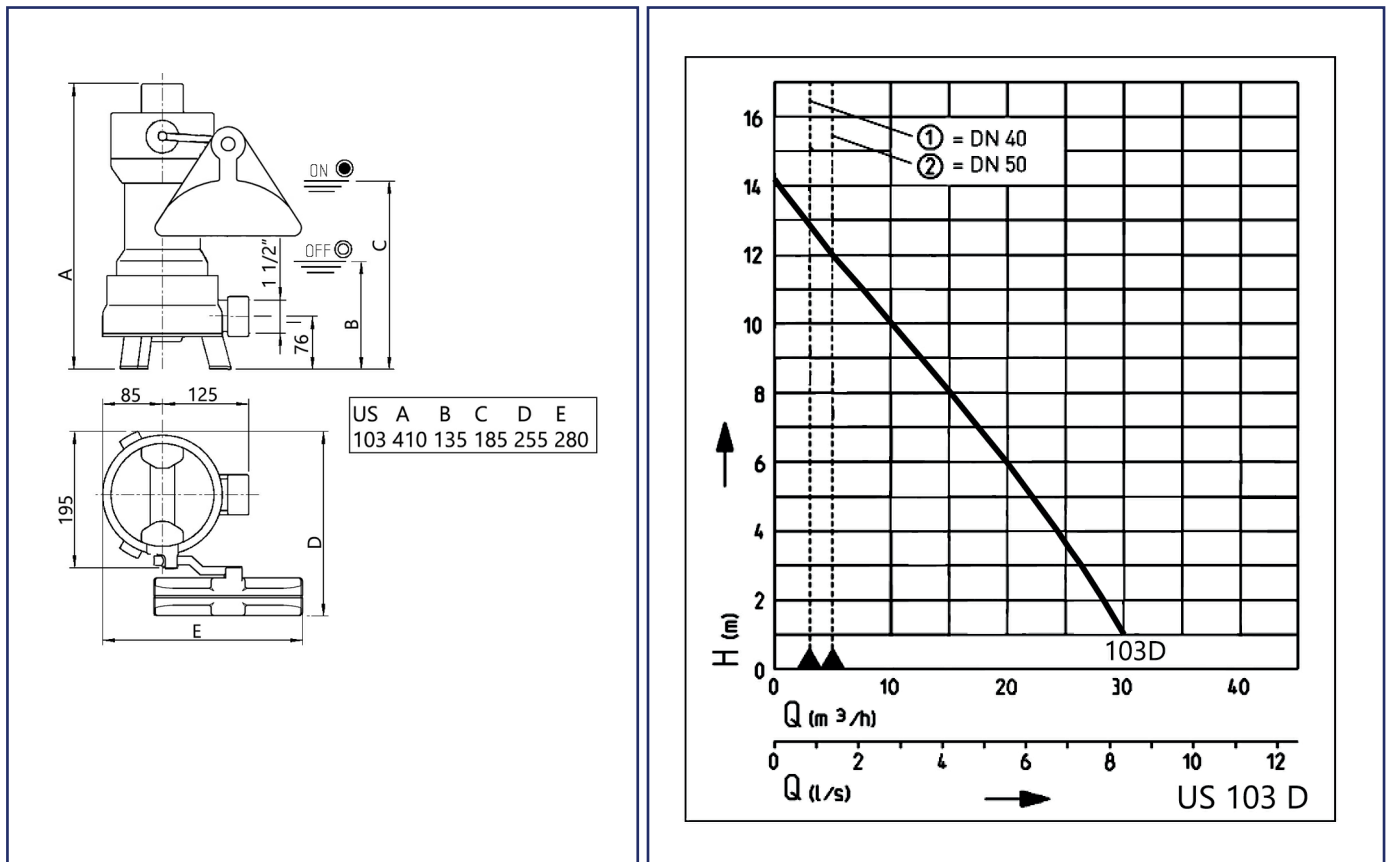
- Safe to run dry
- 30 mm free passage
- Controllable oil chamber
- SiC mechanical seal independent of sense of rotation
- Replaceable moisture sealed cable inlet
- Fluid temperature 35°C, temporarily 60°C (10 mins)

**Description:**

The heavy duty centrifugal submersible drainage pump US 103 DS is suitable for dealing with wastewater and capable of handling soft solids up to 30 mm particle size.



**Dimensions/switching points US 103 DS (mm)**



**DRAINING 1030 TWIN (3ph)  
(Duty/Standby Wastewater Pumping  
System with Control Panel)**

**Scope of Supply**

Pump according to DIN EN 12050 ready for connection with 4m cable and automatic level float switch

**Mechanical Data**

Pump	Vertical single stage	Shaft	Stainless Steel
Bearing	Ball bearing, grease-lubricated	Impeller	Vortex impeller, GFK
Seal on motor side	Duplex rotary shaft seals	Motor housing	Edelstahl (253: Grauguss)
Oil chamber	Yes	Pump housing	Grey cast iron
Seal on medium side	SiC Mechanical seal	Submersible	Yes
Run dry protection	Yes	Pressure outlet	IG 1½" (US253:2")

**Electrical Data**

Power line	10m H07RN-F	Insulation class	B (253:F)
Type of enclosure	IP68	Winding thermostat	Yes

**US 103 DS**

Type	Code No.	Voltage	Motor rating P1	Motor rating P2	Current	Wires	Motor protection	Plug	Free passage	Weight
<b>With built-in level control</b>										
US 103 DS	JP09259	3/PE-400V	1.36kW	1.60kW	2.4A	4G1,0	Integrated	CEE	30 mm	15.0kg

**Notes:**

- This unit is for wastewater only
- Ensure the location of the DrainKing enables the lid to be easily removed for regular inspection and maintenance
- If the discharge pipework connection to a soil stack, manhole etc. is below the discharge outlet of the tank, an anti-syphon unit must be fitted at the highest point of the discharge pipework
- Warranty: The DrainKing 1030 Twin (3ph) comes complete with a one year warranty.

**Pump Technology Ltd. - 0118 9821 555 - [www.pumptechnology.co.uk](http://www.pumptechnology.co.uk)**

Official Distributor and Stockist Authorised by Jung Pumpen GmbH



4 of 4

Pump Technology Ltd. reserves the right to change the specification without prior notice.