

## DRAINING 30 SL TWIN (240V) (Duty/Standby Wastewater Pumping System with Control Panel)



DrainKing 30 SL Twin (240V) Part No 171/NS  
(Wastewater Pumping System with control panel.  
Ideal for wastewater containing mildly corrosive  
chemicals. 20 parts per million concentration)

### General Description:

DrainKing 30 SL Twin (240V) features a heavy-duty tank and submersible pump for automatically pumping wastewater. This small pump features a shaft mechanical seal rather than lip seals, therefore it is suitable for applications like - Laboratories, vets, dentists, hairdresser, janitor sinks and coffee shops where excess coffee granules and milk skin is being washed down a sink



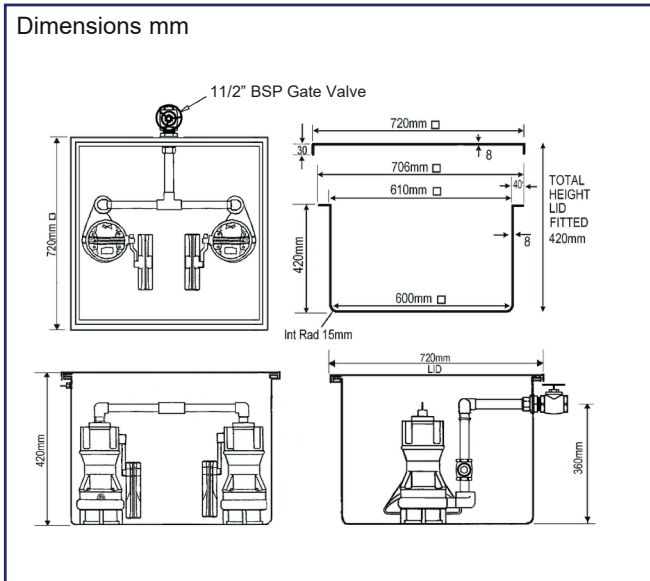
The DrainKing Twin provides users with the additional security of duty / standby operation. If one pump should become blocked or fail, the wastewater would rise within the common tank, and activate the high-level alarm. The control panel would start the other pump as the standby pump.

### Control Panel:

The DrainKing Twin is supplied with a pump station control panel and a single high-level finger float. The duty pump is automatically alternated after every pump operation. If the high-level alarm is activated the standby pump would become operational. The panel features door isolation switch, pump 1 or 2 operational/tripped lights, alarm buzzer (minimum volume of 80 Dba at 1m distance) alarm on/off switch, 3 off volt free ports for BMS connection.

A rechargeable battery is fitted in case of mains electricity supply failure.

## DRAINING 30 SL TWIN (240V) (Duty/Standby Wastewater Pumping System with Control Panel)



### Tank:

Manufactured from GRP and fully rigged with internal pipe work, gate valve and non-return valves.

### Tank Volume: 151.2 litres

Total Approximate Usable Volume - 100.8 litres

### Tank Inlets:

To suit site layout, all inverts should be brought into the side of the tank by drilling a hole and using an appropriate tank connector. Minimum invert height 110 mm.

### Tank Outlet:

Fitted 1 1/2" BSP male thread discharge outlet (Gate Valve supplied female thread)

### Tank Venting:

To suit site layout, a vent should be taken from the side of the tank by drilling a hole and using an appropriate tank connector. Vent pipe should be 1 1/4" min. to air or via a Pump Technology MicroVent.

## DRAINING 30 SL TWIN (240V) (Duty/Standby Wastewater Pumping System with Control Panel)

### Pump:

- For saline solutions up to 15 % salinity
- Cooling jacket for motor housing
- Low level pumping by detachable strainer base
- Flushing device activatable and deactivatable
- Variable discharge branch with closable ventilation
- Run dry protection
- EIP Technology
- SiC mechanical seal
- Moisture sealed cable inlet

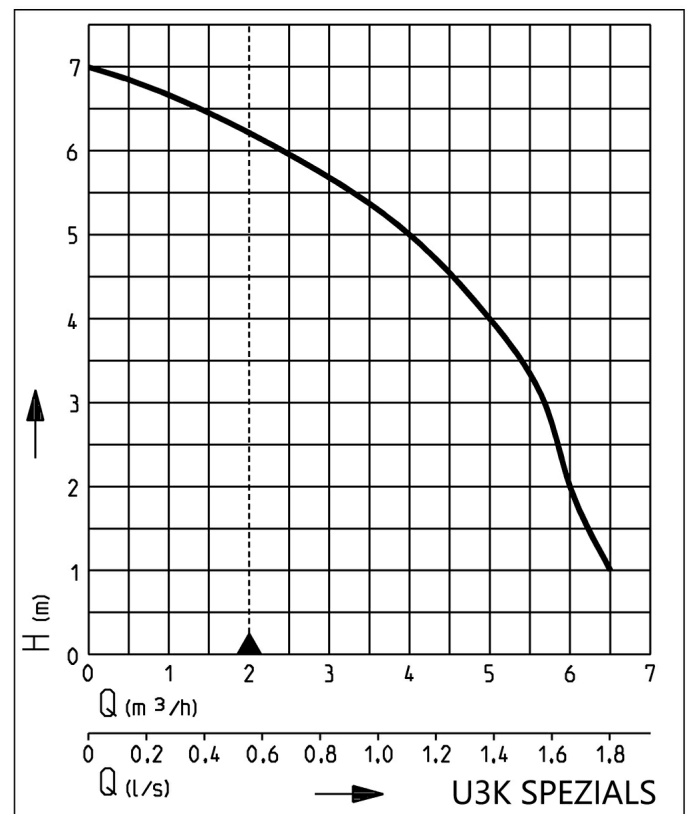
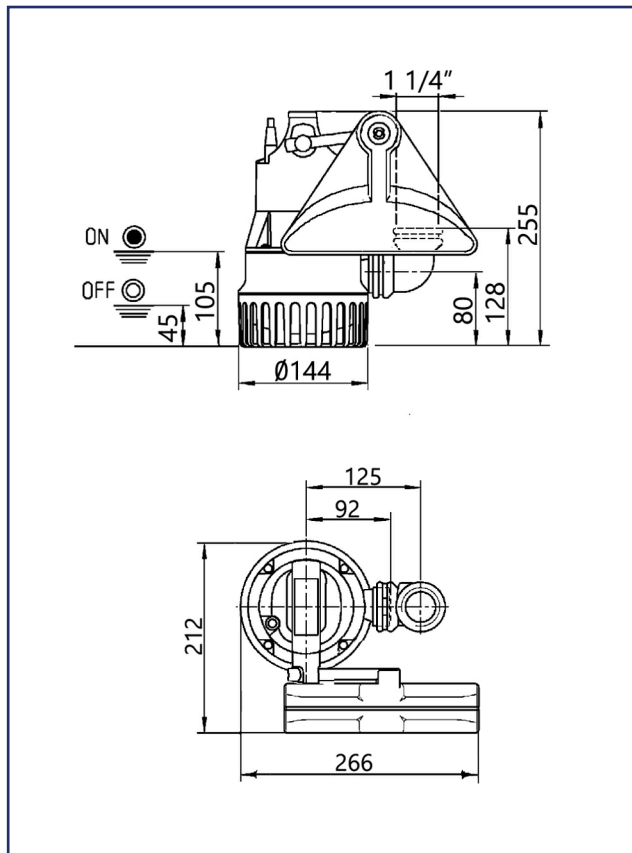


### Description:

The heavy duty centrifugal submersible drainage pump U3K SPEZIAL is suitable for dealing with wastewater and capable of handling soft solids up to 10mm in particle size.

The U3K SPEZIAL is a variant of the U3k (with Mechanical shaft seal) and designed to pump wastewater containing mildly corrosive chemicals (20 parts per million concentration)

### Dimensions/switching points U3 KS (mm)



## DRAINING 30 SL TWIN (240V) (Duty/Standby Wastewater Pumping System with Control Panel)

### Scope of Supply

Pump ready for connection acc. to EN 12050 with 90°, 1¼" female connection elbow, 4m cable with automatic level float switch.

#### Mechanical Data

Pump	Vertical single stage	Run dry protection	Yes
Free Passage	10 mm	Shaft	Stainless Steel
Bearing	Ball bearing, grease-lubricated	Impeller	Vortex impeller, GFK
Seal on motor side	Rotary shaft seal	Motor housing	Stainless Steel
Oil chamber	Yes	Pump housing	GRP
Seal on medium side	SiC mechanical seal	Submersible	Yes
		Pressure outlet	1¼"

#### Electrical Data

Voltage	1/N/PE-230V	Type of enclosure	IP 68
Motor rating P1	0.32kW	Insulation class	B
Motor rating P2	0.2kW	Winding thermostat	Yes
Current	1.4A	Motor protection	Integrated
Type of enclosure	3G1,0	Plug	Safety

#### U3 SPEZIAL

Type	Code No.	Power line	Weight
<b>With built-in level control</b>			
U3 KS spezial, 4m cable	<b>JP50005</b>	4m H07RN-F	3.7kg

#### Notes:

- This unit is for wastewater only
- Ensure the location of the DrainKing enables the lid to be easily removed for regular inspection and maintenance
- If the discharge pipework connection to a soil stack, manhole etc. is below the discharge outlet of the tank, an anti-syphon unit must be fitted at the highest point of the discharge pipework
- Warranty: The DrainKing 30 SL Twin (240V) comes complete with a one year warranty.

**Pump Technology Ltd. - 0118 9821 555 - [www.pumptechnology.co.uk](http://www.pumptechnology.co.uk)**

Official Distributor and Stockist Authorised by Jung Pumpen GmbH



4 of 4

Pump Technology Ltd. reserves the right to change the specification without prior notice.