

## DRAINING 730 TWIN (3ph) (Duty/Standby Wastewater Pumping System with Control Panel)



DrainKing 730 Twin (3ph) Part No. 174/NS  
(Duty/Standby Wastewater Pumping System with  
Control Panel)

### General Description:

DrainKing 730 Twin (3ph) features a heavy-duty tank and submersible pump for automatically pumping wastewater from commercial kitchens, multiple sinks, dishwashers etc.

The DrainKing Twin provides users with the additional security of duty/standby operation. If one pump should become blocked or fail, the wastewater would rise within the common tank, and activate the high-level alarm. The control panel would start the other pump as the standby pump.

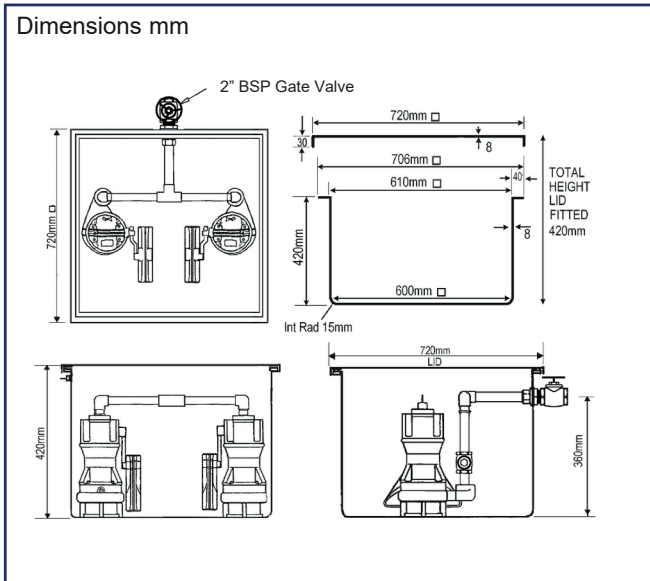


### Control Panel:

The DrainKing Twin is supplied with a pump station control panel and a single high-level finger float. The duty pump is automatically alternated after every pump operation. If the high-level alarm is activated the standby pump would become operational. The panel features door isolation switch, pump 1 or 2 operational/tripped lights, alarm buzzer (minimum volume of 80 Dba at 1m distance) alarm on/off switch, 3 off volt free ports for BMS connection.

A rechargeable battery is fitted in case of mains electricity supply failure.

**DRAINING 730 TWIN (3ph)  
(Duty/Standby Wastewater Pumping  
System with Control Panel)**



**Tank:**

Manufactured from GRP and fully rigged with internal pipe work, gate valve and non-return valves.

**Tank Volume: 151.2 litres**

Total Approximate Usable Volume - 100.8 litres

**Tank Inlets:**

To suit site layout, all inverts should be brought into the side of the tank by drilling a hole and using an appropriate tank connector. Minimum invert height 155 mm.

**Tank Outlet:**

Fitted 2" BSP male thread discharge outlet (Gate Valve supplied female thread)

**Tank Venting:**

To suit site layout, a vent should be taken from the side of the tank by drilling a hole and using an appropriate tank connector. Vent pipe should be 1¼" min. to air or via a Pump Technology MicroVent.

**DRAINING 730 TWIN (3ph)  
(Duty/Standby Wastewater Pumping  
System with Control Panel)**

**Pump:**

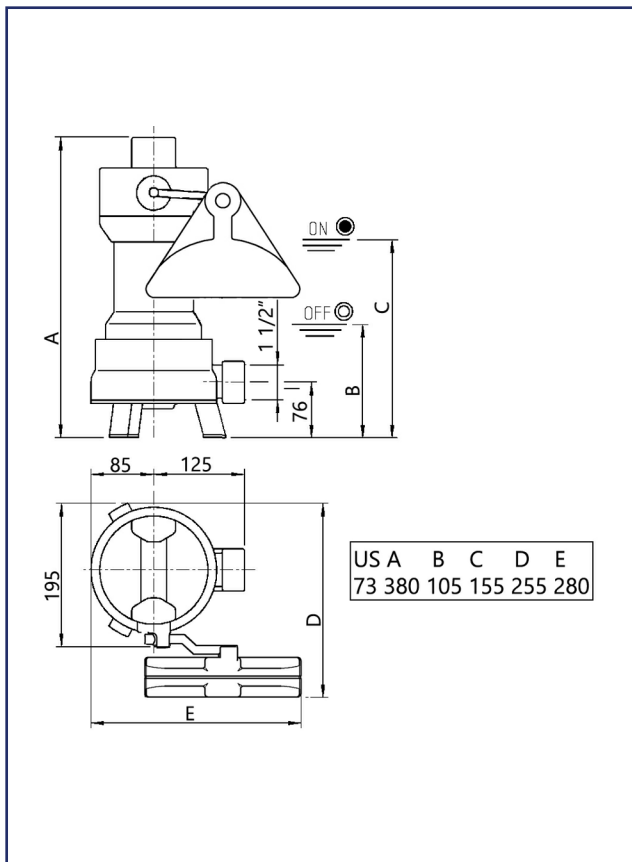
- Safe to run dry
- 30 mm free passage
- Controllable oil chamber
- SiC mechanical seal independent of sense of rotation
- Replaceable moisture sealed cable inlet
- Fluid temperature 35°C, temporarily 60°C (10 mins)

**Description:**

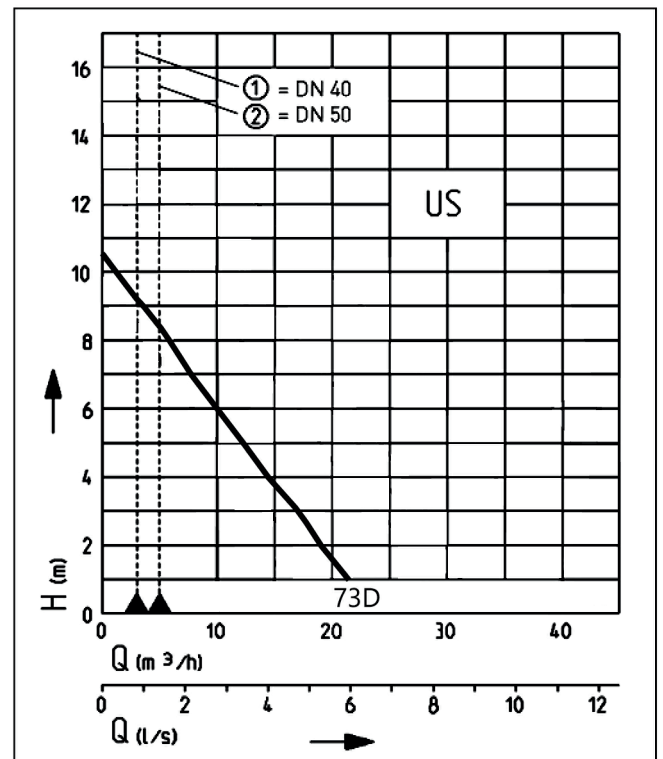
The heavy duty centrifugal submersible drainage pump US 73 DS is suitable for dealing with wastewater and capable of handling soft solids up to 30 mm particle size.



**Dimensions/switching points US 73 DS (mm)**



**PERFORMANCE**



## DRAINING 730 TWIN (3ph) (Duty/Standby Wastewater Pumping System with Control Panel)

### Scope of Supply

Pump according to DIN EN 12050 ready for connection with 4m cable and automatic level float switch.

Mechanical Data			
Pump	Vertical single stage	Shaft	Stainless Steel
Bearing	Ball bearing, grease-lubricated	Impeller	Vortex impeller, GFK
Seal on motor side	Duplex rotary shaft seals	Motor Housing	Edelstahl (253: Grauguss)
Oil chamber	Yes	Pump Housing	Grey cast iron
Seal on medium side	SiC Mechanical seal	Submersible	Yes
Run dry protection	Yes	Pressure outlet	IG 1½" (US253:2")

Electrical Data			
Power line	10m H07RN-F	Insulation class	B (253:F)
Type of enclosure	IP68	Winding thermostat	Yes

### US 73 DS

Type	Code No.	Voltage	Motor rating P1	Motor rating P2	Current	Wires	Motor protection	Plug	Free passage	Weight
<b>With built-in level control</b>										
US 73 DS	JP00679	3/PE-400V	0.85kW	0.60kW	1.4A	4G1,0	Integrated	CEE	30 mm	13.0kg

### Notes:

- This unit is for wastewater only
- Ensure the location of the DrainKing enables the lid to be easily removed for regular inspection and maintenance
- If the discharge pipework connection to a soil stack, manhole etc. is below the discharge outlet of the tank, an anti-syphon unit must be fitted at the highest point of the discharge pipework
- Warranty: The DrainKing 730 Twin (3ph) comes complete with a one year warranty.

**Pump Technology Ltd. - 0118 9821 555 - [www.pumptechnology.co.uk](http://www.pumptechnology.co.uk)**

Official Distributor and Stockist Authorised by Jung Pumpen GmbH



4 of 4

Pump Technology Ltd. reserves the right to change the specification without prior notice.