

## DRAINMAJOR 730 (3ph) (Wastewater Pumping System)

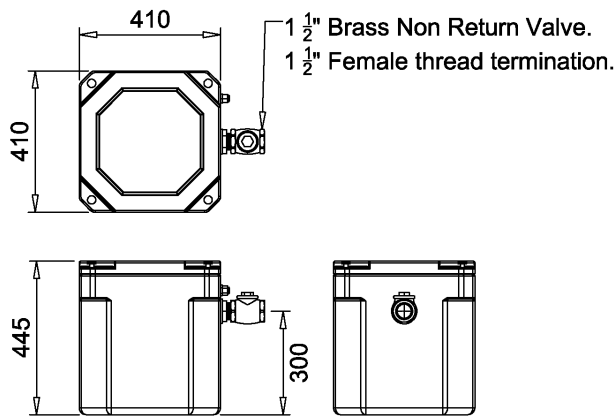


DrainMajor 730 (3ph) Part No.141  
(Wastewater Pumping System.)

### General Description:

DrainMajor 730 (3ph) features a heavy-duty tank and submersible pump for automatically pumping wastewater from commercial kitchens, teapoints, etc.

Dimensions mm



### Tank:

Manufactured from recyclable polyethylene and fully rigged with internal pipe work and non-return valve. The lid is held in place with easy-to-remove hand screws and sits on a custom moulded, fitted rubber seal.

### Tank Volume: 74.8 litres

Total Approximate Usable Volume - 49.8 litres

### Tank Inlets:

To suit site layout, all inverts should be brought into the side of the tank by drilling a hole and using an appropriate tank connector. Minimum invert height 155 mm.

### Tank Outlet:

Fitted 1 1/2" BSP male thread discharge outlet (NRV supplied female thread)

### Tank Venting:

To suit site layout, a vent should be taken from the side of the tank by drilling a hole and using an appropriate tank connector. Vent pipe should be 1 1/4" min. to air or via a Pump Technology MicroVent.

### Good for the Environment:



**DrainMajor tanks are made from Recyclable Polyethylene.**

Recycling polyethylene is highly cost effective and therefore successful. It is greener than incineration, far more eco-friendly than landfill disposal and easier to use when manufacturing products such as toys, recycling bins, envelopes and much more.

**Pump Technology Ltd. - 0118 9821 555 - [www.pumptechnology.co.uk](http://www.pumptechnology.co.uk)**

**Pump:**

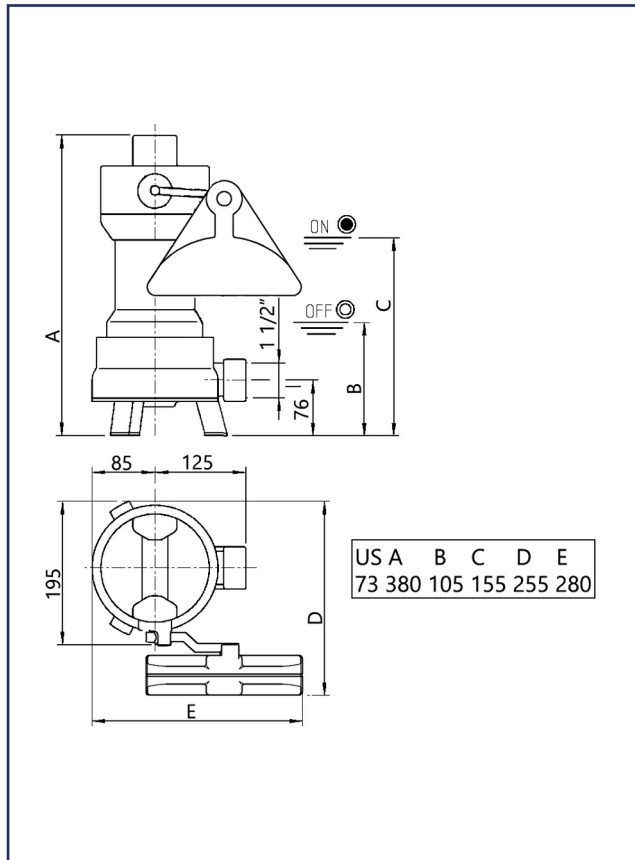
- Safe to run dry
- 30 mm free passage
- Controllable oil chamber
- SiC mechanical seal independent of sense of rotation
- Replaceable moisture sealed cable inlet
- Fluid temperature 35°C, temporarily 60°C (10 mins)

**Description:**

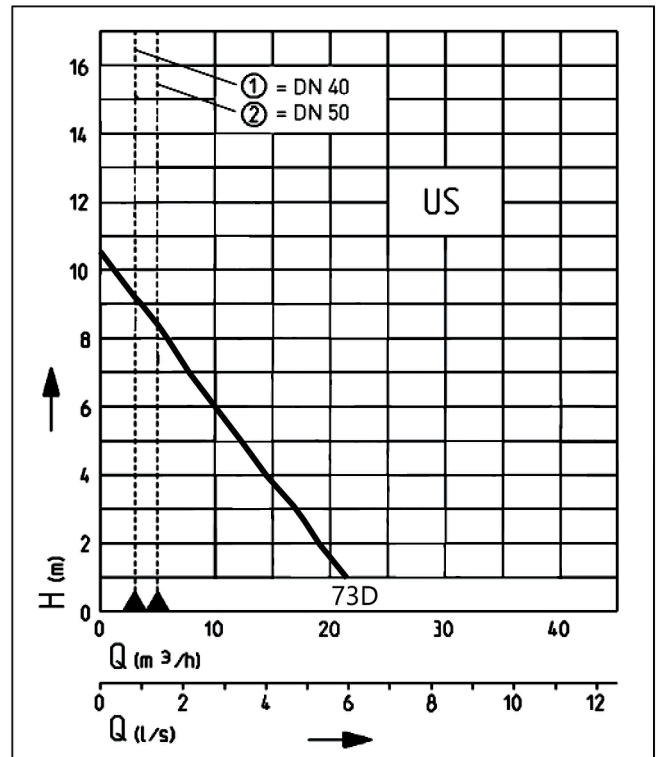
The heavy duty centrifugal submersible drainage pump US 73 DS is suitable for dealing with wastewater and capable of handling soft solids up to 30 mm particle size.



**Dimensions/switching points US 73 DS (mm)**



**PERFORMANCE**



**PUMP**<sup>®</sup> DATA SHEET **DRAINMAJOR 730 (3ph)**  
**TECHNOLOGY LTD** (Wastewater Pumping System)

**Scope of Supply**

Pump according to DIN EN 12050 ready for connection with 4m cable and automatic level float switch.

**Mechanical Data**

Pump	Vertical single stage	Shaft	Stainless Steel
Bearing	Ball bearing, grease-lubricated	Impeller	Vortex impeller, GFK
Seal on motor side	Duplex rotary shaft seals	Motor Housing	Edelstahl (253: Grauguss)
Oil chamber	Yes	Pump Housing	Grey cast iron
Seal on medium side	SiC Mechanical seal	Submersible	Yes
Run dry protection	Yes	Pressure outlet	IG 1½" (US253:2")

**Electrical Data**

Power line	10m H07RN-F	Insulation class	B (253:F)
Type of enclosure	IP68	Winding thermostat	Yes

**US 73 DS**

Type	Code No.	Voltage	Motor rating P1	Motor rating P2	Current	Wires	Motor protection	Plug	Free passage	Weight
<b>With built-in level control</b>										
US 73 DS	JP00679	3/PE-400V	0.85kW	0.60kW	1.4A	4G1,0	Integrated	CEE	30 mm	13.0kg

**Notes:**

- This unit is for wastewater only
- Ensure the location of the DrainMajor enables the lid to be easily removed for regular inspection and maintenance
- If the discharge pipework connection to a soil stack, manhole etc. is below the discharge outlet of the tank, an anti-syphon unit must be fitted at the highest point of the discharge pipework
- Warranty: The DrainMajor 730 (3ph) comes complete with a one year warranty.

**Pump Technology Ltd. - 0118 9821 555 - [www.pumptechnology.co.uk](http://www.pumptechnology.co.uk)**

Official Distributor and Stockist Authorised by Jung Pumpen GmbH



3 of 3

Pump Technology Ltd. reserves the right to change the specification without prior notice.